

# S/C/SC/H Series

## Smoke Alarm/Carbon Monoxide Alarm/ Combination Smoke & Carbon Monoxide Alarm/Heat Alarm

24 units per carton, 28 pounds per carton

### Applications

The S/C/SC/H Series devices are for use as evacuation devices in all dwelling units, including but not limited to homes, apartments, hospitals, hotels and motels. Available in several different models, the S/C/SC/H Series is engineered to virtually eliminate nuisance alarms and deliver outstanding performance wherever reliable fire protection is required.

The S/C/SC/H Series is provided with a 9V alkaline battery for back-up in the event building power is lost. Options include self-restoring 135°F integral and isolated thermals with rate of rise and Form A/Form C dry contacts for remote annunciation.

The S/C/SC/H Series smoke, CO, smoke/CO and heat alarms are ANSI/UL 217, ANSI/UL 2034 and/or ANSI/UL 539 listed and are warranted for one year from date of purchase.

### Standard Features

- S/SR/STRR/SHRR/SC/SCR/SCRR/C/CR/H: available in 120VAC models with 9V battery back-up
- S220/SR220/H220: available in 220VAC models with 9V battery back-up
- S/SR/STRR/SCRR/SC/SCR/SHRR/S220/SR220 feature multi-criteria smoke sensing including photoelectric light scattering sensing technology.
- SC/SCR/SCRR/SHRR/C/CR feature electrochemical CO sensing technology
- STRR/SHRR/SCRR/H/H220 feature heat thermal sensing technology
- Horn frequency 3100 Hz (nominal)
- Temporal 3 evacuation signal pattern for smoke and heat annunciation
- Temporal 4 signal pattern for CO annunciation
- 85 dBA evacuation piezo horn
- Nominal 2.5% sensitivity
- Programmable relay operation
- 8 hour alarm memory
- Push button self test feature
- Push button functional test feature
- Relays operate on battery back-up
- Quick-disconnect wiring harness
- Front loading battery drawer
- Interconnect with Gentex tandem capable smoke alarms
- Non-latching (self restoring) alarm
- Pulsing LED sensing chamber
- Fully insect screened
- Red LED pulses every 16 seconds, green LED for AC power on
- Mounting hardware adapts to standard junction boxes
- Dust cover to prevent contamination during installation
- Low or missing battery indicator
- One year warranty from date of purchase
- 10-year end-of-life indicator



### Product Listings

SIGNALING



- S Series: ANSI/UL 217 9th Edition Listed
- SC Series: ANSI/UL 217 9th Edition and ANSI/UL 2034 Listed
- C Series: ANSI/UL 2034 Listed
- H Series: ANSI/UL 539 Listed

### Product Compliance

- NFPA 72
- IBC/IFC/IRC
- Quality Management System is certified to: ISO 9001:2008

Model	Part Number	Voltage (VAC)	Sensor			Additional Features			
			Smoke	CO	Heat	Integral 135°F /Rate of Rise Thermal	Isolated 135°F /Rate of Rise Thermal	One set of Form A/C relay contacts	Two sets of Form A/C relay contacts
S	917-0070-002	120 VAC	•						
SR	917-0071-002	120 VAC	•					•	
STRR	917-0072-002	120 VAC	•		•				•
SHRR	917-0073-002	120 VAC	•		•		•		•
H	917-0079-002	120 VAC			•	•			
C	918-0030-002	120 VAC		•					
CR	918-0036-002	120 VAC		•				•	
SC	918-0031-002	120 VAC	•	•					
SCR	918-0032-002	120 VAC	•	•				•	
SCRR	918-0033-002	120 VAC	•	•					•
S220	917-0075-002	220 VAC	•						
SR220	917-0076-002	220 VAC	•					•	
H220	917-0080-002	220 VAC			•	•			

## Notes

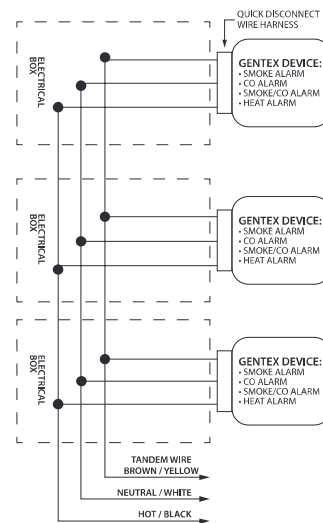
- It is recommended that S/C/SC/H Series smoke alarm be tested weekly
- Units produce a temporal 3 audible alarm for smoke or heat
- Units produce a temporal 4 audible alarm for CO
- Utilizing DUALINK®, if S/C/SC/H is tandem interconnected with CO alarms or combination smoke/CO alarms and CO devices go into alarm, CO alarms and smoke alarm will sound CO warning.
- Utilizing DUALINK®, if S/C/SC/H alarm annunciates, all smoke alarms, CO alarms or combination smoke/CO alarms tandem interconnected will sound smoke alarm warning.
- When both smoke and CO conditions are present, smoke condition will have priority and alarm will sound smoke annunciation.

## Electrical Specifications

Operating Voltage (S/C/SC/H) .....	120VAC, 60 Hz
Operating Voltage (S220/SR220/H220) .....	220VAC, 50 Hz/60 Hz
120VAC Operating Current .....	0.055 amps
220VAC Operating Current.....	0.135 amps
Operating Ambient Temp Range.....	40°F to 100°F
Alarm Horn Rating .....	85 dBA at 10 feet
Nominal Sensitivity .....	2.5% obscuration
Auxiliary Relay (SR/CR/SCR/SR220).....	1 Form A and 1 Form C (0.5 amps)
Auxiliary Relay (STRR/SHRR/SCRR).....	2 Form A and 2 Form C (0.3 amps)
"T" Integral Thermal (Self-Restoring).....	135°F at 50 feet
"H" Isolated Thermal Form A (Self-Restoring).....	135°F at 50 feet
Size .....	Diameter: 5.5"x5.5" OA (5.0"x5.0" at base) Depth: 1.75"
Secondary Power Source .....	Alkaline 9V battery Duracell® MN 1604

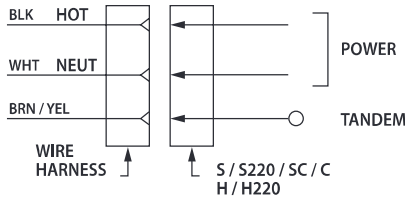
S/C/SC/H Series

## Tandem Interconnect Wiring Diagram



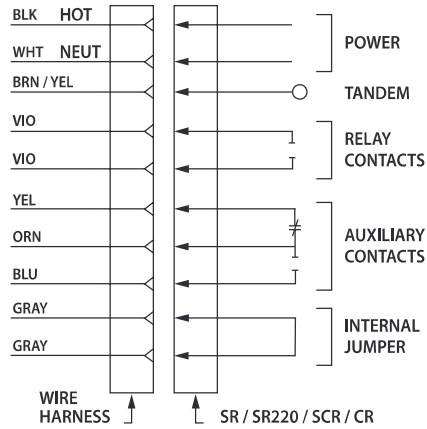
- When a S, SR, STRR, SHRR, SC, SCR and/or SCRR is tandem interconnected with Gentex CO alarms or combination smoke/CO alarms and the CO devices go into alarm, CO alarms, smoke alarm and/or combination smoke/CO alarms will sound the CO alarm warning (temporal 4 horn pattern).
- When a C, CR, SC, SCR and/or SCRR is tandem interconnected with Gentex smoke alarms or combination smoke/CO alarms and smoke devices go into alarm, smoke alarms, CO alarms and/or combination smoke/CO alarms will sound the smoke alarm warning (temporal 3 horn pattern).
- When both smoke and CO conditions are present, smoke condition will have priority and alarms will sound smoke alarm warning (temporal 3 horn pattern).

## Models: S/S220/H/H220/SC/C



- Use only Duracell® MN 1604 battery. Available at many retail stores.
- Use brown/yellow wire to tandem interconnect this device to S, SR, S220, SR220, STRR, SHRR, H, H220, C, CR, SC, SCR, SCRR AS WELL AS THE GENTEX GN-503 SERIES, CO1209 SERIES AND 1209 SERIES.
- This device will not connect Gentex legacy products: 7100/7103, 9120/9123, GN-200/GN-203, GN-300/GN-303, 710CS/7103CS, 7109CS/7139CS Series
- **THE S, S220, H, H220 SC, C PRODUCT WIRING HARNESS IS NOT INTERCHANGEABLE. THE S, S220, H, H220, SC, C MUST USE PROPER WIRING HARNESS. PRODUCT WILL NOT FUNCTION IF INCORRECT WIRING HARNESS IS USED.**

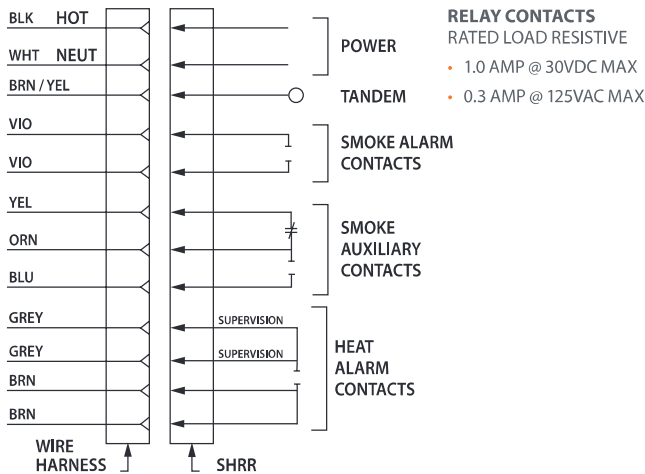
## Models: SR/SR220/CR/SCR



- RELAY CONTACTS  
RATED LOAD RESISTIVE**
- 1.0 AMP @ 30VDC MAX
  - 0.3 AMP @ 125VAC MAX
  - 0.3 AMP @ 220VAC MAX

- Use only Duracell® MN 1604 battery. Available at many retail stores.
- Use brown/yellow wire to tandem interconnect this device to S, SR, S220, SR220, STRR, SHRR, H, H220, C, CR, SC, SCR, SCRR AS WELL AS THE GENTEX GN-503 SERIES, CO1209 SERIES AND S1209 SERIES.
- This device will not connect Gentex legacy products: 7100/7103, 9120/9123, GN-200/GN-203, GN-300/GN-303, 710CS/7103CS, 7109CS/7139CS Series
- **THE SR, SR220, CR, SCR PRODUCT WIRING HARNESS IS NOT INTERCHANGEABLE. THE SR, SR220, CR, SCR MUST USE PROPER WIRING HARNESS. PRODUCT NOT INTERCHANGEABLE WITH OTHER MODELS.**

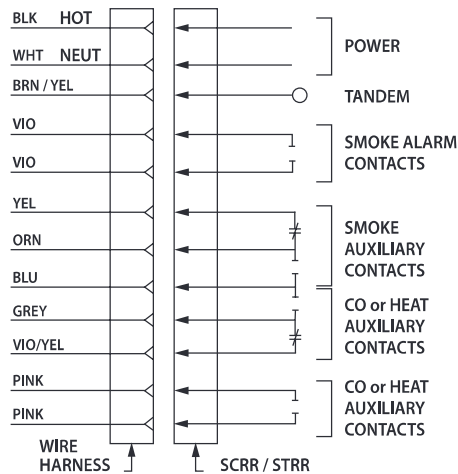
## Models: SHRR



- RELAY CONTACTS  
RATED LOAD RESISTIVE**
- 1.0 AMP @ 30VDC MAX
  - 0.3 AMP @ 125VAC MAX

- Use only Duracell® MN 1604 battery. Available at many retail stores.
- Use brown/yellow wire to tandem interconnect this device to S, SR, S220, SR220, STRR, SHRR, H, H220, C, CR, SC, SCR, SCRR AS WELL AS THE GENTEX GN-503 SERIES, CO1209 SERIES AND S1209 SERIES.
- This device will not connect Gentex legacy products: 7100/7103, 9120/9123, GN-300/GN-303, 710CS/7103CS, 7109CS/7139CS Series
- **THE SHRR PRODUCT WIRING HARNESS IS NOT INTERCHANGEABLE. THE SHRR MUST USE PROPER WIRING HARNESS. PRODUCT NOT INTERCHANGEABLE WITH OTHER MODELS.**

## Models: STRR, SCRR



- RELAY CONTACTS  
RATED LOAD RESISTIVE**
- 1.0 AMP @ 30VDC MAX
  - 0.3 AMP @ 125VAC MAX

- Use only Duracell® MN 1604 battery. Available at many retail stores.
- Use brown/yellow wire to tandem interconnect this device to S, SR, S220, SR220, STRR, SHRR, H, H220, C, CR, SC, SCR, SCRR AS WELL AS THE GENTEX GN-503 SERIES, CO1209 SERIES AND S1209 SERIES.
- This device will not connect Gentex legacy products: 7100/7103, 9120/9123, GN-300/GN-303, 710CS/7103CS, 7109CS/7139CS Series
- **THE STRR, SCRR PRODUCT WIRING HARNESS IS NOT INTERCHANGEABLE WITH OTHER MODELS. THE STRR, SCRR MUST USE PROPER WIRING HARNESS. PRODUCT WILL NOT FUNCTION IF INCORRECT HARNESS IS USED.**

# S/C/SC/H Series

## Smoke Alarm/Carbon Monoxide Alarm/ Combination Smoke & Carbon Monoxide Alarm/Heat Alarm

### Architect & Engineering Specifications

The multi-criteria smoke alarm shall be a Gentex model S/SR/STRR/SHRR/SC/SCR/SCRR/S220/SR220 or approved equal which shall provide at least the following features and functions.

- Nominal smoke sensitivity shall be 2.5%
- The alarm shall utilize a LED sensing circuit which pulses in 1 second intervals when subjected to elevated levels of smoke. After 2 consecutive pulses in smoke, the alarm will activate.
- Use only Duracell® MN 1604 battery with this device. Available at many retail stores.
- The alarm shall have a 9V alkaline battery as a back-up in the event building power is lost.
- The 9V alkaline battery impedance shall be verified by the circuit of the smoke alarm.
- The alarm shall provide an indicator when the battery is low in power, or high impedance, or is missing.
- The alarm shall provide minimum 5-to-1 signal-to-noise ratio in the optics frame to assure stability of operation in environments of high RF and transient conditions.
- The sensing chamber shall be fully screened to prevent entrance of small insects, thus reducing the probability of false alarms.
- A temporal 3 piezo alarm rated at 85 dBA at 10ft.
- A visual LED monitor (condition indicator) will slow pulse in normal operation and rapid pulse in alarm.

- The alarms shall have the interconnect capabilities of up to 18 initiation devices with a maximum of 12 S or SC series smoke alarms.
- The manufacturer shall provide other compatible alarm models with the following optional features: a) 135°F isolated thermal with normally opened contact for remote connection to local alarm or annunciator; b) 135°F integral thermal; c) auxiliary Form A/Form C relay contacts for initiating remote functions and annunciation; d) relay option that is capable of activation by tandem interconnect wire. Thermal sensor shall be self-restoring.
- Unit must be ANSI/UL 217, ANSI/UL 2034 and/or ANSI/UL 539 listed for both wall and ceiling mount.
- Unit shall be listed by Underwriters Laboratories.
- 28 Pounds per carton

All equipment shall be completely factory assembled, wired and tested, and the contractor shall be prepared to submit a certified letter testifying to this condition. Alarms which do not meet all of the requirements of this specification will not be considered.