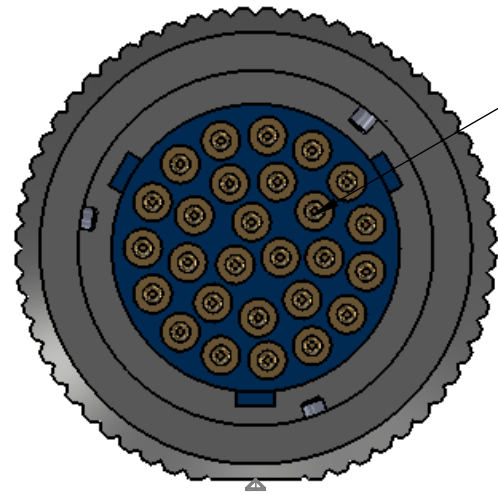
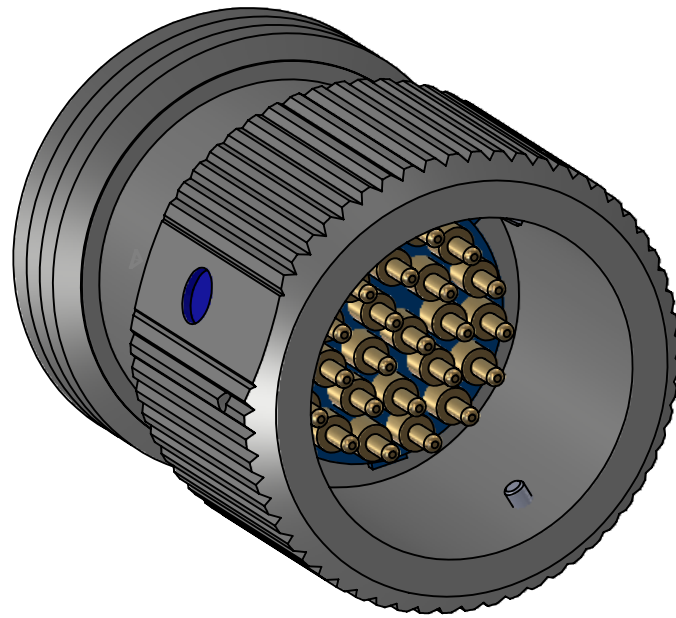
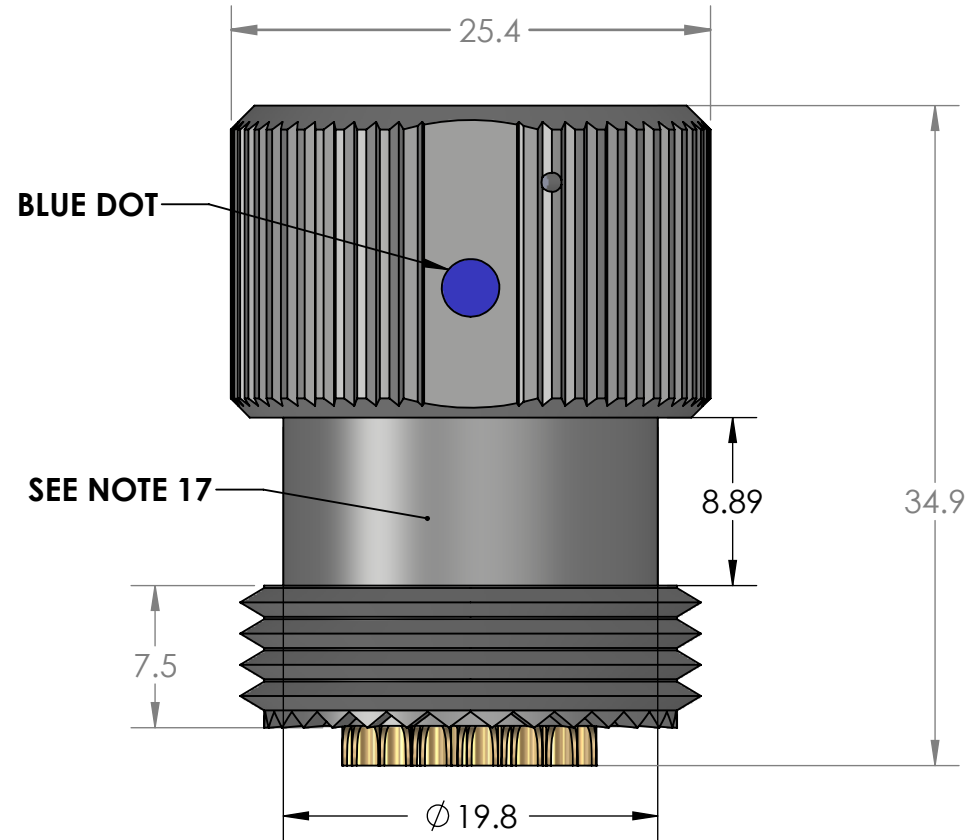


REV	DATE	DESCRIPTION OF CHANGE	ENG
B	03/16/15	REVISED. SEE DCN	TC

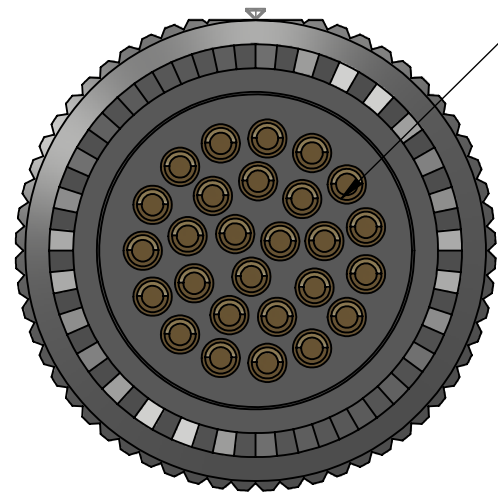
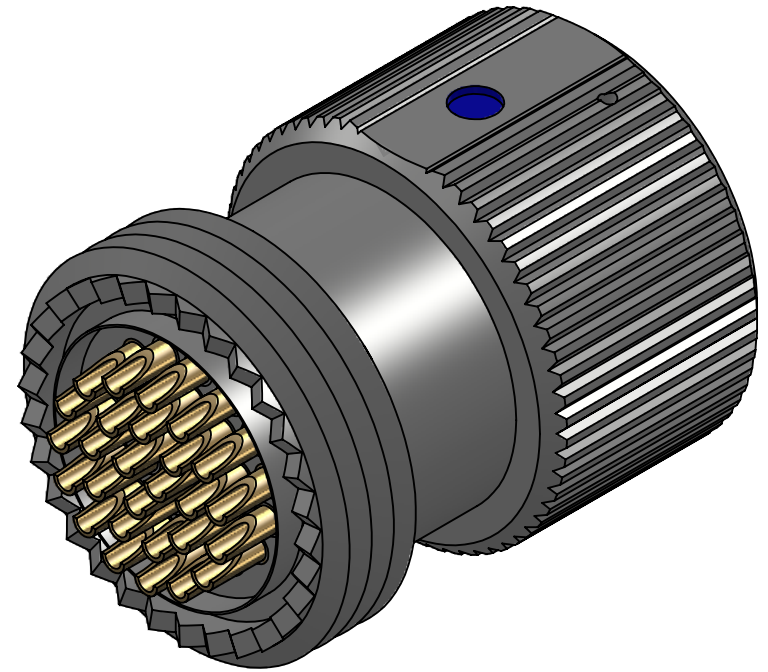


CONTACT PINS



BLUE DOT

SEE NOTE 17



SOLDER CONNECTIONS

- NOTES:
- Description: 27 Pin Circular Connector
 - Operating Temperature Range: -55C to +85C
 - Air Pressure: 2.5 psi
 - Water Immersion: 48 Hr. @ 6 ft.
 - Durability: 3000 Cycles, Mate/Un-mate
 - Contact Spring force: 0.5 to 0.6 LBS
 - Number of Positions: 27
 - Contacts: Copper Alloy
 - Insulator: Diallyl Phthalate
 - Connector: Stainless Steel
 - Contact Finish: 30µ" Gold per MIL-G-45204 Over 100µ" Nickel
 - Operating Voltage: 60V Maximum
 - Current Rating: .05A Maximum
 - Insulation Resistance: 1000MΩ
 - Meets MIL-STD-202, MIL-STD-810F, MIL-STD-1344A and MIL-STD-220
 - Pin inside Diameter: 0.05 Inches
 - Permanently mark on surface indicated the following information:
 - CONN-MC4127 MMY 1HJX9 (MM = Month, YY = Year).
 - Marking to be .090 high and use 1 part epoxy ink that meets the requirements of CID A-A-56032D Type I & II.

UNLESS OTHERWISE SPECIFIED:

DIMENSIONS ARE IN: INCHES
TOLERANCES: .XX: ± 0.03
 .XXX: ± 0.005
ANGULAR: .X°: 1°
 .XX°: 0.5°
BREAK EDGES: .005 - .020
FILLETS: .005 - .020
SURFACE FINISH:

GEOMETRIC TOLERANCING
PER: ASME Y14.5 -2009

MATERIAL: SEE DRAWING NOTES
FINISH: SEE DRAWING NOTES

DO NOT SCALE DRAWING

	NAME	DATE
DRAWN	TC	03/16/15
CHECKED	RJB	03/16/15
COMMENTS:		

PROPRIETARY AND CONFIDENTIAL
THE INFORMATION CONTAINED IN THIS DRAWING IS THE SOLE PROPERTY OF SUPPLYNET, INC. ANY REPRODUCTION IN PART OR AS A WHOLE WITHOUT THE WRITTEN PERMISSION OF SUPPLYNET INC. IS PROHIBITED.

CAGE CODE: 1HJX9

REF. NUMBER: SN0356		
CROSS REF. HARRIS PART # J69-0016-002		
TITLE: CONN-4127 DETAILED PIN LAYOUT		
SIZE B	DWG. NO. CONN-MC4127	REV B
SCALE: NA	WEIGHT:	SHEET 1 OF 1